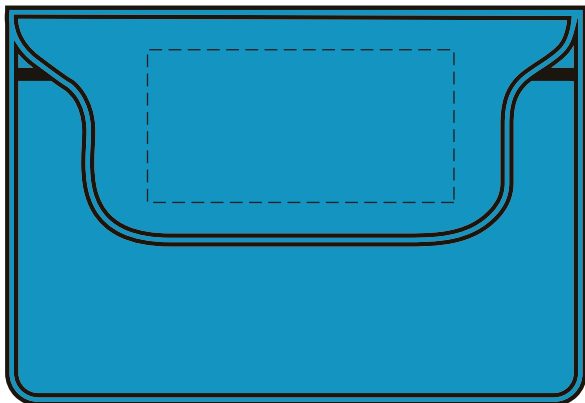
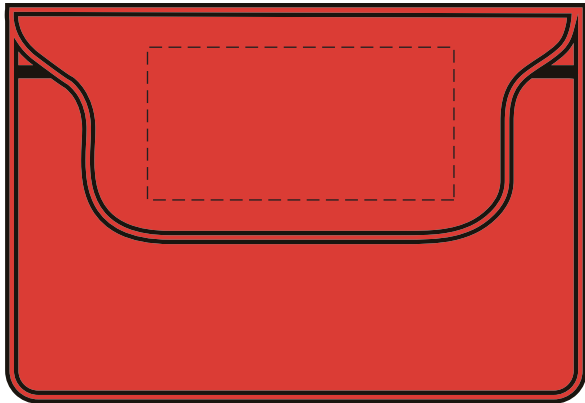
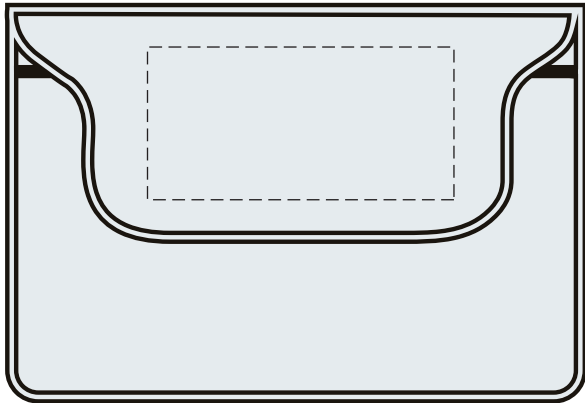


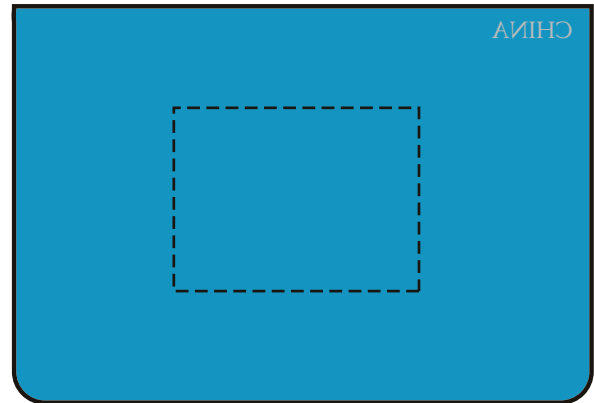
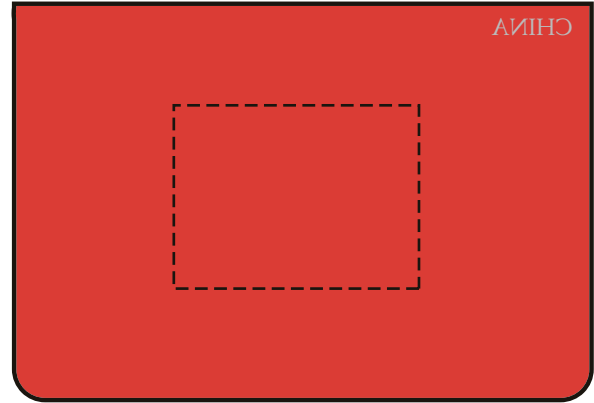
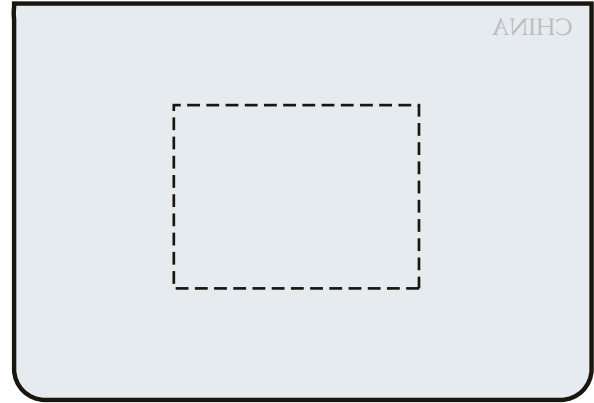
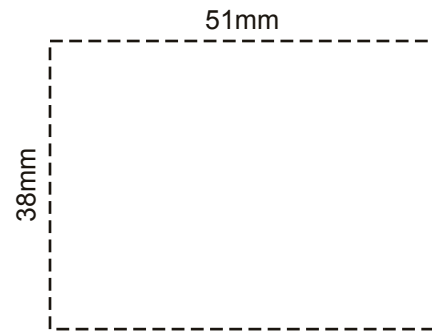
Front

Screen print area at 100%
(one colour)



Back

Screen print area at 100%
(one colour)



NOT ACTUAL SIZE